

# The Aqua (Scotland) Ltd Risk Assessment and Maintenance Program Process

Aqua (Scotland) Ltd offer a wide range of water treatment and water hygiene services designed to improve both the safety and cost effectiveness of our customer's water systems, providing the highest standards in water management.

## RISK ASSESSMENT INCLUDING DESIGN OF WRITTEN SCHEME

A full and thorough Risk Assessment would be completed in accordance with all current legislation including:

Inspection of all water systems and equipment including taking outlet temperatures and samples to be sent for UKAS Accredited Sampling

Summary report of all risks found with priority rating

Detailed report explaining all risks with guidance of how best to remove/control risks found

Design of a maintenance / control scheme

Drafting of schematic diagrams to be included in a written manual (Log Book)

Advise on how to maximise the efficiency of each water system.

### **The Myth:**

### **Risk assessments must always be long and complex**

Paperwork on its own never saved anyone. It is a means to an end, not an end in itself - action is what protects people. So risk assessments should be fit for purpose and acted upon.

### **Legionella Control Diagram:**

- Complete a Risk Assessment ↓
- Design a management scheme ↓
- Appoint a responsible person to implement the scheme ↓
- Implement the scheme ↓
- Keep full records (log book)



## HOT AND COLD WATER MONITORING, INSPECTING AND SAMPLING

Once a maintenance / control scheme is in place we can assist in implementing it. Monitoring, inspecting and sampling tasks can be undertaken at the correct intervals ensuring any faults are found and corrected efficiently.

**Implementation of the maintenance/control scheme**

**UKAS accredited laboratories used for all bacteria samples**

## LOG BOOK CREATION AND AUDITING

A complete and simple logbook system would be compiled site specific to make record keeping easy. Fully sectioned for each system, task or record and left on site for future reference.

Management, controlling and risk assessment documents must be kept for 2 years after period of use.

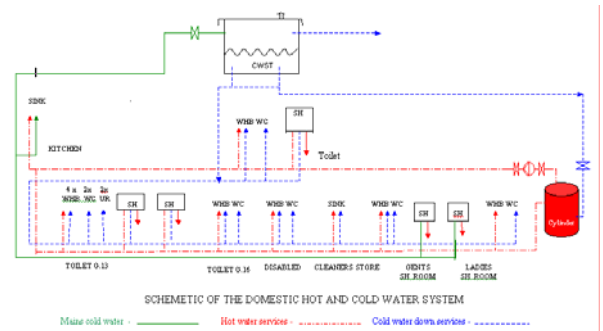
Results from monitoring must be kept for at least 5 years.

## CHLORINATIONS / DISINFECTIONS

## SCHEMATIC DIAGRAMS

L8 requires a diagram of all complex water systems drafted in such a way to make it easy to read and understand.

We have created schematics for buildings large and small, from site survey to your presentation print out, we supply a simple line drawing representation, which will fulfil legal requirements and become a useful management tool.



Aqua (Scotland) Ltd offer a flexible system for all types of chlorination and disinfection, sensitive to the individual needs and conditions of your systems.

Once completed a sample will be taken for laboratory testing to confirm the effectiveness of our works, a copy of this is supplied with our chlorination certificate on completion.

- Tank Cleaning
- System Disinfection
- System Chlorination

UKAS accredited laboratories used for all bacteria samples

## WATER TREATMENT EQUIPMENT and CHEMICALS (Used to enhance compliance with the L8 ACOP Legislation)

Supply, installation and maintenance of water treatment equipment is hand in hand with our service and monitoring programs ensuring that our customers have the best tool for each scenario.

We can offer:

- UV treatment systems
- Combined point of use systems – c/w UV / RO / Sediment and carbon filters
- Chemical dosing equipment
- Waste treatment equipment
- Water softeners
- ION Exchange systems
- ION Exchange Resin replacement
- Activated Carbon systems
- Water storage tanks and containment systems
- Filter cartridges
- Filter housings in plastic and stainless steel
- Chemicals and media as required
- Reverse Osmosis system installation, maintenance and consumable supplies
- Reverse Osmosis element testing and regeneration
- Oxygen Scavenging and Removal
- Anything you need for your water system can be supplied by

**Aqua (Scotland) Ltd**

